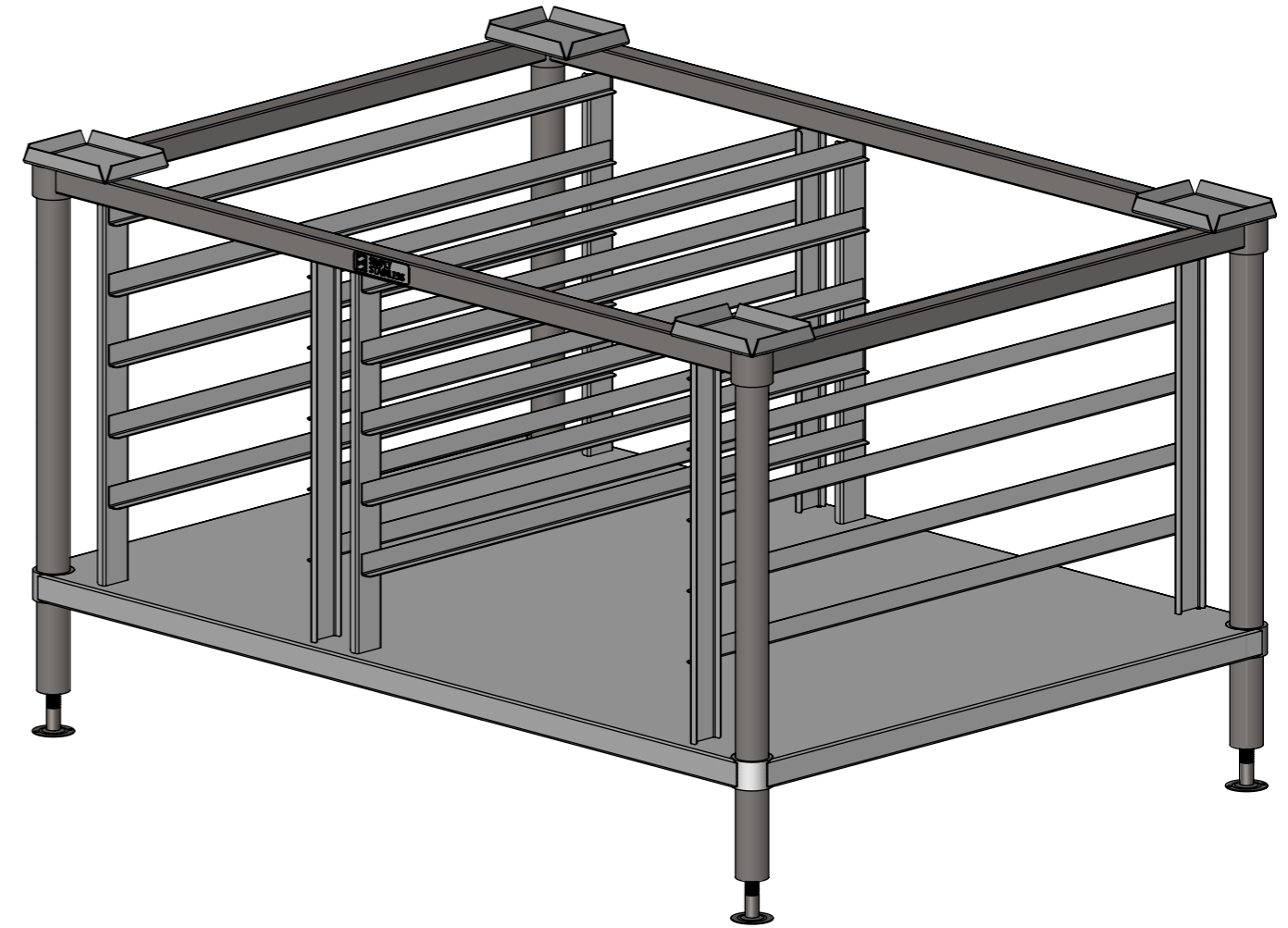


PLAN

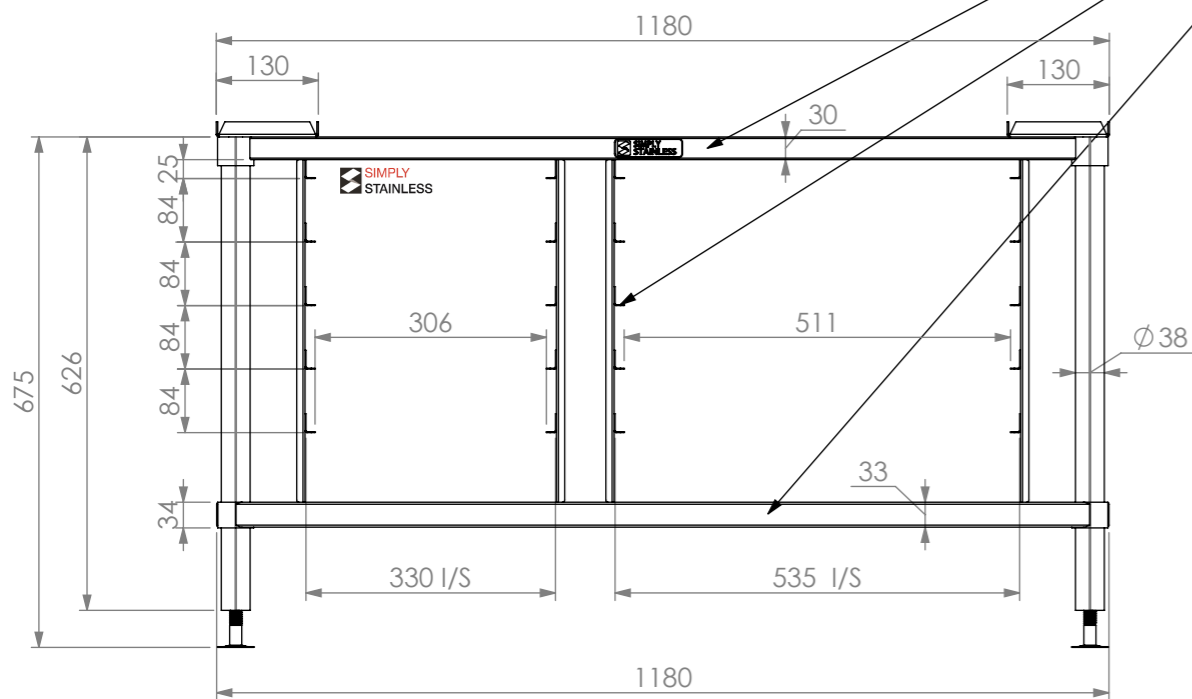


FOOT MOUNT PLATE

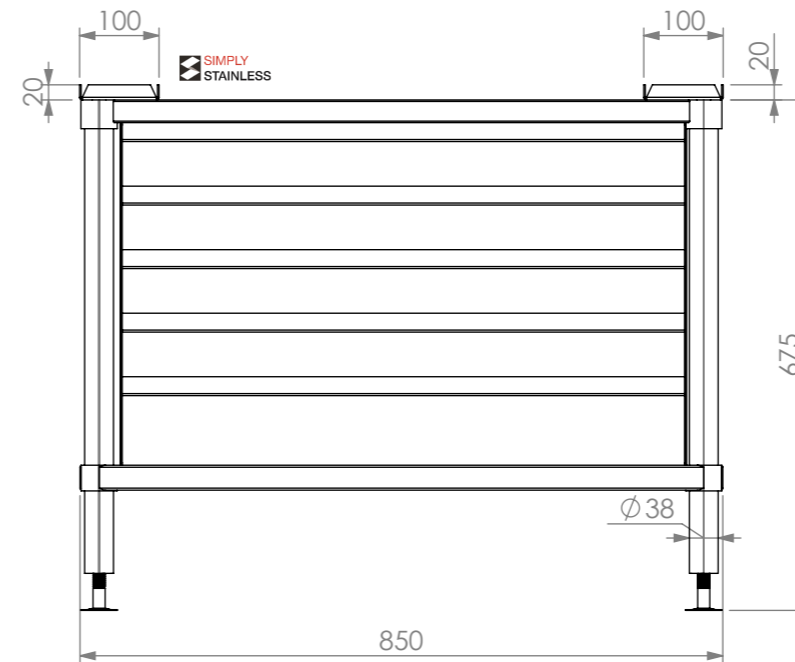
30x30mm SQ TUBE

CASSETTE FRAME

UNDERSHELF



FRONT ELEVATION



SIDE ELEVATION

**27-CONV 6.20 & 10.20 STAND**



Modular Sinks, Tables & Shelving  
COPYRIGHT © 2022

This drawing is the property of CI GROUP PTY LTD. Tradings as SIMPLY STAINLESS and it may not be copied, reproduced or modified in whole or in part without prior written permission of CI GROUP PTY LTD. SIMPLY STAINLESS reserves the right to change specification and design without notice.

**27-CONV 6.20 & 10.20 STAND**

SIZE: A3

SCALE : 1:10

**CONSTRUCTION NOTES :**

1. FRAME MADE FROM Ø38mm ROUND TUBE & 30mm SQ TUBE STAINLESS STEEL.
2. UNDERSHELF MADE FROM 1.2mm STAINLESS STEEL.
3. FEET ARE ADJUSTABLE STAINLESS STEEL DISC SHAPED FEET.